

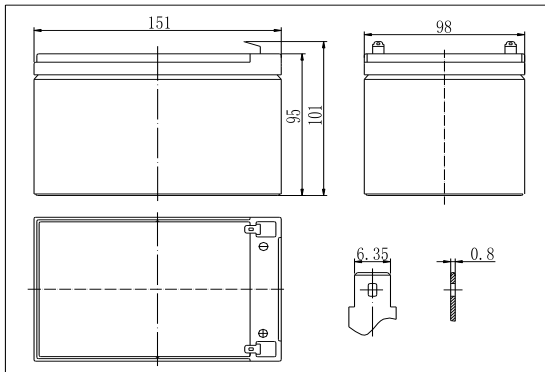
RPower GiV12120VP (12V 12Ah AGM Battery)

VdS No. G116002

EAN: 4260349823517

Floating Life at 20°C designed for up to 5 years

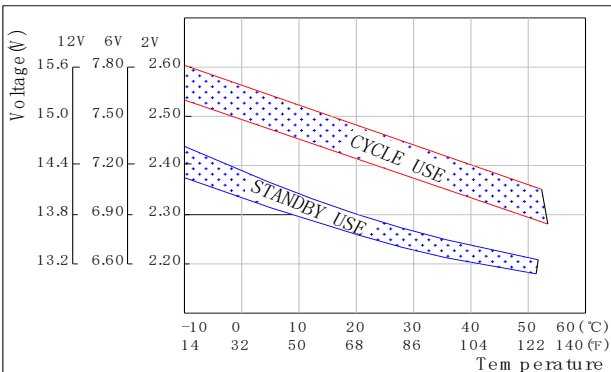
Dimensions



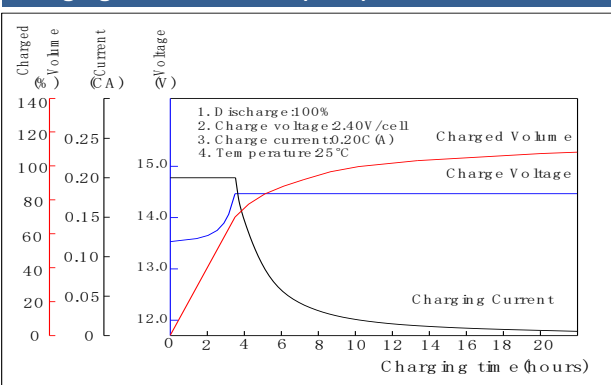
Specifications

Nominal Voltage		12V
Capacity (20hr@25°C@1.8V/C)		12Ah
Dimensions (±2mm)	Length	151mm (5.94inch)
	Width	98mm (3.86inch)
	Height	95mm (3.74inch)
	Total Height	101mm (3.98inch)
Approx. Weight		3.78kg (8.33lbs)
Maximum charging current		4.80A
Maximum discharge current		180A (5sec.)
Internal resistance		Approx. 16mΩ
Capacity affected by temperature (20hr)	40°C	102%
	25°C	100%
	0°C	85%
	-15°C	65%
Self-discharge (25°C)	3 month	Remaining Capacity: 91%
	6 month	Remaining Capacity: 82%
	12 month	Remaining Capacity: 65%
Nominal operating temperature		25°C ±3°C (77°F±5°F)
Operating temperature range		-20°C~50°C (-4°F~122°F)
Float charging voltage (25°C)		13.65 to 13.80V
Cyclic charging voltage (25°C)		14.40 to 15.00V
Terminal material		Copper

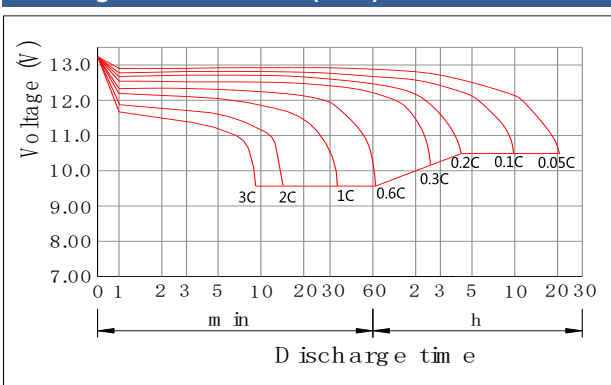
The Relationship for Charging Voltage and Temperature



Charging Characteristics (25°C)



Discharge Characteristics (25°C)



Constant Current Discharge Characteristics (Ampere / Battery, 25°C)

FV / TIME	5min	10min	15min	20min	30min	45min	1h	2h	3h	4h	5h	6h	8h	10h	20h
10.98V	38,35	26,56	21,33	16,22	12,04	9,24	7,39	4,00	2,97	2,42	2,03	1,63	1,33	1,14	0,59
10.80V	40,80	28,20	22,60	17,15	12,70	9,69	7,75	4,19	3,10	2,52	2,10	1,68	1,37	1,16	0,60
10.50V	42,00	29,00	23,20	17,55	13,00	9,81	7,85	4,23	3,13	2,54	2,12	1,70	1,38	1,17	0,61
10.20V	43,50	29,90	23,70	17,96	13,30	9,93	7,94	4,27	3,16	2,58	2,15	1,71	1,39	1,18	0,62
9.90V	44,60	30,80	24,30	18,23	13,50	10,05	8,04	4,28	3,17	2,62	2,18	1,73	1,40	1,19	0,63
9.60V	45,40	31,70	24,80	18,63	13,80	10,18	8,14	4,32	3,20	2,64	2,20	1,74	1,42	1,20	0,64

Constant Power Discharge Characteristics (Watt / Battery, 25°C)

FV / TIME	5min	10min	15min	20min	30min	45min	1h	2h	3h	4h	5h	6h	8h	10h	20h
10.98V	437,66	308,60	248,65	184,90	144,48	112,14	88,63	46,81	35,90	28,74	23,62	19,38	15,85	13,51	6,87
10.80V	465,60	327,60	263,40	195,45	152,40	117,60	93,00	48,96	37,44	29,94	24,48	19,98	16,26	13,78	7,01
10.50V	478,80	333,60	267,60	200,07	154,80	119,40	94,20	49,50	37,86	30,22	24,66	20,15	16,40	13,90	7,13
10.20V	491,40	339,60	271,80	204,69	157,20	120,60	94,80	49,98	38,22	30,65	24,84	20,33	16,54	14,02	7,37
9.90V	504,60	346,20	276,00	207,77	159,60	122,40	96,00	50,52	38,64	31,08	25,02	20,50	16,68	14,14	7,48
9.60V	517,20	352,20	280,20	212,38	162,00	123,60	96,60	51,00	39,00	31,36	25,20	20,67	16,82	14,26	7,60